

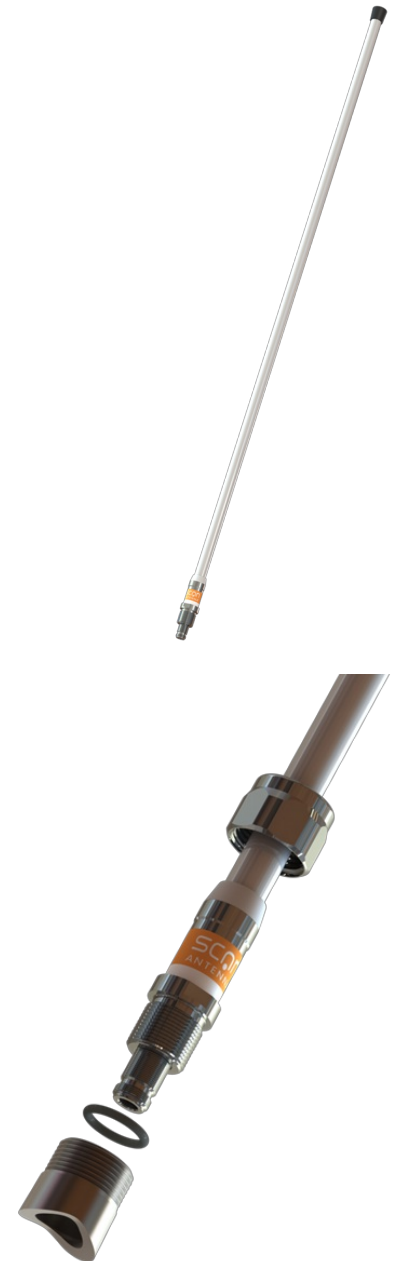
UHF43X

3 dB UHF Fibreglass Antenna 1.14 m (Customer specified frequency)

Customer specified frequency
End-fed full $1/2 \lambda$ coaxial dipole antenna design
Full omni-directional radiation pattern
No groundplane needed

ELECTRICAL SPECIFICATIONS

Frequency	396 - 512 MHz (Specified by customer)
Bandwidth	Approx. 5 % of the specified Centre Frequency (CF)
Impedance	50 ohm
Vswr	<1.5
Polarisation	Vertical
Gain	3 dB (Marine), 0 dBd, 2.1 dBi
Max. Input Power	250 W
Antistatic Protection	Direct Ground



Datasheet

2 / 4

MECHANICAL SPECIFICATIONS

Color	White
Height	1145 mm
Weight	Max. 400 g (depending on frequency)
Mounting	On 1" threaded pole (G1"-11 thread) with Revolving Nut Kit or on optionally brackets
Mounting Place	On deck or mast
Materials	PU-painted glassfibre, PTFE, copper and chromed brass
Survival Wind Speed	55 m/s (125 mph)
Operating Temperature	-55C to +70C (IEC 60068-2-1, IEC 60068-2-2)
Connector	N-female
Cable	No cable supplied
Ingress protection	IP66
Vibration	IEC 60068-2-6, IEC 60068-2-64
Serial no.	On product label

ORDERING INFORMATION

P/N	14043-000X (Antenna only - bulk packing)
P/N	14043-001X (Antenna only - in Polybag)
P/N	14043-002X (Antenna only - in Carton tube)
P/N	14043-431X (Antenna + 1" Revolving Nut Kit - in Polybag)
P/N	14043-432X (Antenna + 1" Revolving Nut Kit - in Carton tube)

PACKAGING INFORMATION

Type	Bulk packing or individually packing in Polybag or Carton tube (See "ORDERING INFORMATION")
size	Max. 1.65 m
weight	Approx. 0.5 kg

