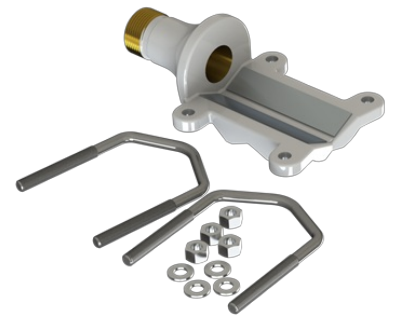


# MAST/RAIL MOUNT G1"-11 (FOR ALUMINIUM POLE)

PU-painted heavy duty solid brass pole bracket for ALUMINIUM tube/pole mounting

- Heavy duty bracket for installation of Marine and Base Station antennas on vertical ALUMINIUM pole
- Made from PU powder coated solid brass for long term use at sea
- It is mounted vertically overhead on side of poles Ø 38 - 75 mm. Optionally it can be mounted on wall
- Made for antennas with the 1" Revolving Nut Mounting System
- Stainless steel hardware included



## MECHANICAL SPECIFICATIONS

Color	White
Weight	1500 g (Hardware included)
Mounting	On pole with supplied U-bolt Kit
Mounting place	On vertical ALUMINIUM pole or rail
Mounting Instruction	NOTE! 1" Revolving Nut Kit 10000-431 is not included!
Materials	PU-painted solid brass and stainless steel
For Antenna Types	All Marine and Base Station Antennas with the 1" Revolving Nut Mounting System
Dimension	175 x 103 x 66 mm



## ORDERING INFORMATION

10000-133A	Individually packing in Carton box
------------	------------------------------------

## PACKAGING INFORMATION

Type	Bulk packing or individually packing in Polybag or Carton box (See "ORDERING INFORMATION")
size	205 x 105 x 75 mm
weight	1.6 kg

