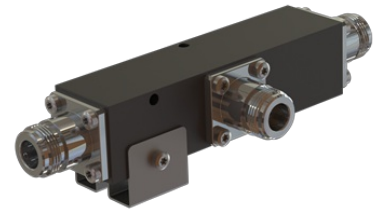
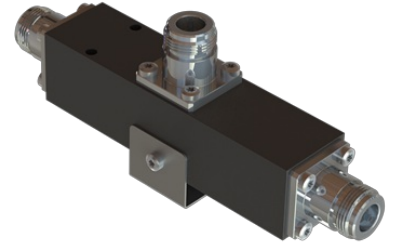


P-TAP-N Series

Wideband Power Tapper Series (138 - 5930 MHz)

- High power, 500 W, tapper covering the 138 to 5930 MHz.
- Seven version, coupling between 4.8 to 30 dB.
- Taps off a portion of the signal from the main line.
- Very low insertion loss over the entire frequency range.
- Ideal for distributed antenna systems (DAS).
- Type N-female connector



ELECTRICAL SPECIFICATIONS

Type	High Power Tapper
Frequency	138 - 5930 MHz
Coupling	P-TAP-N-5: 4.8 dB P-TAP-N-6: 5.0 dB P-TAP-N-8: 8.0 dB P-TAP-N-10: 10 dB P-TAP-N-15: 15 dB P-TAP-N-20: 20 dB P-TAP-N-30: 30 dB
Coupling tolerances	See table
Total Loss (Through)	See table
VSWR	See table
Impedance	50 Ohm
Max. Input Power	500 W
Passive Intermodulation	< -161 dBc @ 2 x 43 dBm

Datasheet

2 / 3

MECHANICAL SPECIFICATIONS

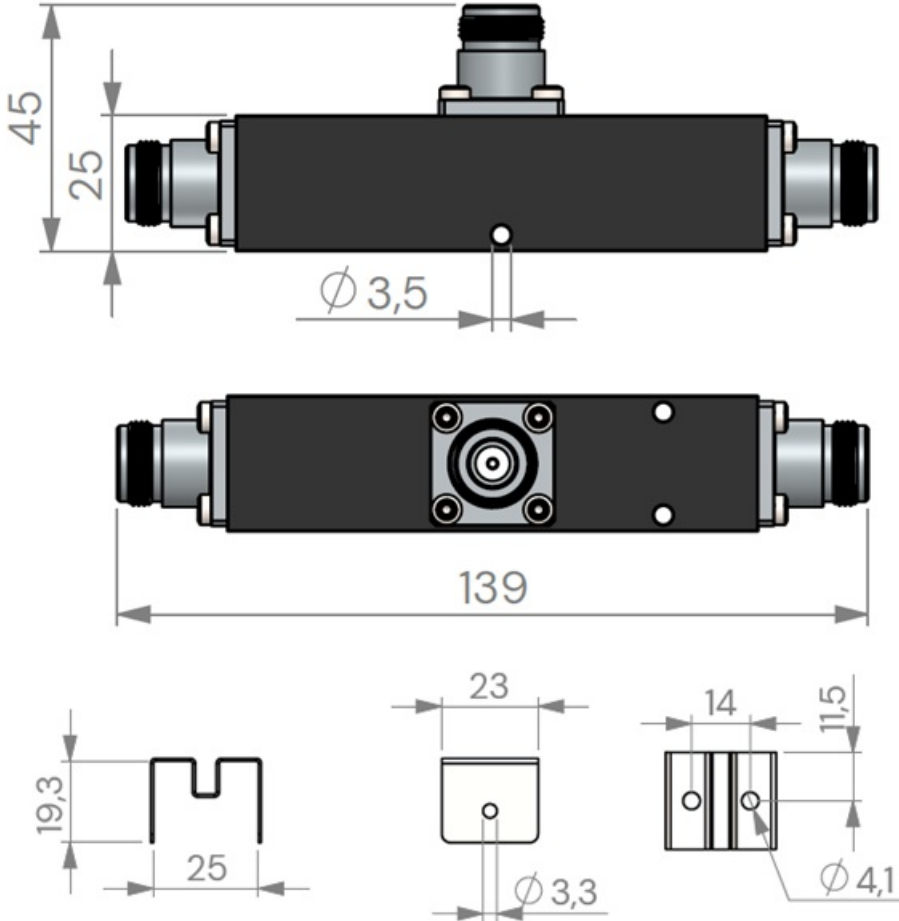
Color	Black
Dimensions	138 x 45 x 23 mm (without bracket)
Mounting	With supplied bracket or integrated holes
Weight	285 g
Operating Temperature	-30 to +60°C
Material	Aluminum, Brass and PE
Connector	Type N-female
Serial No.	On product label

PACKAGING INFORMATION

Type	Carton Box
Size	175 x 90 x 40 mm

ORDERING INFORMATION

P-TAP-N-5	Power Tapper - 4.8 dB coupling - Type N-female
P-TAP-N-6	Power Tapper - 6.0 dB coupling - Type N-female
P-TAP-N-8	Power Tapper - 8.0 dB coupling - Type N-female
P-TAP-N-10	Power Tapper - 10 dB coupling - Type N-female
P-TAP-N-15	Power Tapper - 15 dB coupling - Type N-female
P-TAP-N-20	Power Tapper - 20 dB coupling - Type N-female
P-TAP-N-30	Power Tapper - 30 dB coupling - Type N-female



Coupling [dB]	Coupling Tolerances									
	136 - 340 MHz		340 - 960 MHz		1710 - 2700 MHz		3400-4500 MHz		4900 - 5930 MHz	
	Min.	Max.	Min.	Max.	Min.	Max.	Min.	Max.	Min.	Max.
4.8	3.2	6.0	5.0	7.0	5.0	7.0	5.0	7.0	5.0	7.0
6.0	4.2	7.0	6.0	8.0	6.0	8.0	6.0	8.0	6.0	8.0
8.0	5.2	8.0	7.0	9.0	7.0	9.0	7.0	9.0	7.0	9.0
10	7.5	10.0	9.0	11.0	9.0	11.0	9.0	11.0	9.0	11.0
15	13.5	15.5	14.0	16.0	14.0	16.0	14.0	16.0	13.8	16.2
20	20	21.2	20.0	21.2	20.0	21.2	20.0	21.2	20.0	22.0
30	30	31.2	30.0	31.2	29.0	31.0	29.0	31.0	30.0	32.0

Coupling [dB]	Maximum Total Loss [dB]				
	136 - 340 MHz	340 - 960 MHz	1710 - 2700 MHz	3400-4500 MHz	4900 - 5930 MHz
4.8	2.10	2.10	2.50	2.50	3.00
6.0	1.75	1.75	1.75	2.00	2.00
8.0	1.10	1.10	1.30	1.30	1.40
10	0.65	0.65	0.75	0.75	0.85
15	0.25	0.15	0.40	0.40	0.50
20	0.15	0.15	0.30	0.30	0.30
30	0.15	0.15	0.30	0.30	0.30

Coupling [dB]	Maximum VSWR [U]				
	136 - 340 MHz	340 - 960 MHz	1710 - 2700 MHz	3400-4500 MHz	4900 - 5930 MHz
4.8	1.6:1	1.6:1	1.6:1	1.75:1	1.9:1
6.0	1.5:1	1.5:1	1.5:1	1.6:1	1.6:1
8.0	1.3:1	1.3:1	1.3:1	1.4:1	1.4:1
10	1.2:1	1.2:1	1.2:1	1.3:1	1.3:1
15	1.2:1	1.2:1	1.2:1	1.3:1	1.3:1
20	1.2:1	1.2:1	1.2:1	1.3:1	1.3:1
30	1.2:1	1.2:1	1.2:1	1.3:1	1.3:1